

DescenderPro

Automatic Electric Projection Screen Model



SPECIFICATION DATA

SUGGESTED SPECIFICATIONS: _____ projection screen(s), _____(H) x _____(W), electrically operated 120 volt (60 Hz) not more than 1.2 amp. with a quick connect male plug-in connector on the motor. Shall have specially designed motor mounted inside the roller, to be three wire with ground, quick reversal type, oiled for life, with automatic thermal overload cutout, integral gears, capacitor and an electric brake to prevent coasting. To have preset but adjustable limit switches to automatically stop screen surface in the "up" and "down" positions. Junction box shall be internally integrated into the case making it possible to install the case and wire to the building's electrical system during construction. Shall contain a quick connect connector that is mounted in the case for easy plug-in connection to motorized fabric and roller assembly. The motorized fabric and roller assembly to be installed in the case at the factory. The fabric roller to be of rigid steel. Screen to be

designed for left-hand motor installation. Screen surface to be seamless and mildew resistant with black masking borders standard. The ends of the slat to be protected by heavy duty plastic caps enclosing a preset adjustable mechanism for screen tensioning. Top, front, and back of case to be made of heavy guage steel powder coated white. End caps to be of heavy guage galvanized steel. Bottom of case to have a removable access door. Door to be of heavy guage steel powder coated white. Bottom of case to be self-trimming, with a built-in flange on the bottom of the case and detachable flanges on the left and right ends. To be complete with integrated low voltage control unit, three position control switch and cover plate. Suitable for use in environmental air space in accordance with section 300-22 (c) of the National Electric Code, and sections 2-128, 12-010 (3) and 12-100 of the Canadian Electrical Code, part 1, CSA C22.1. Screen to be listed by Underwriters' Laboratories.



Tensioned **DescenderPro** (HD Progressive and Da-Mat surfaces)

Each side of the screen surface to have tab guide cable system to maintain even lateral tension and hold surface flat. Custom slat bar with added weight maintains vertical tension on the screen surface.

HDTV (16:9) Format Dimensions

Viewing Area (H x W)		Nominal Diagonal		Overall Length of Case*		Approx. Hanging Wt.		Approx. Shipping Wt.	
In.	Cm	In.	Cm	In.	Cm	Lbs.	Kg	Lbs.	Kg
52" x 92"	132 x 234	106"	269	112	285	87	39.5	108	49.0
54" x 96"	137 x 244	110"	279	116	295	89	40.4	111	50.4
58" x 104"	147 x 264	119"	302	124	315	95	43.1	114	51.8
65" x 116"	165 x 295	133"	338	140	355	105	47.7	127	57.7
78" x 139"	198 x 353	159"	404	159	405	118	53.6	141	64.0

Wide (16:10) Format Dimensions

Viewing Area (H x W)		Nominal Diagonal		Overall Length of Case*		Approx. Hanging Wt.		Approx. Ship. Wt.	
In.	Cm	In.	Cm	In.	Cm	Lbs.	Kg	Lbs.	Kg
57½" x 92"	146 x 234	109"	277	112	285	88	40.0	109	49.5
60" x 96"	152 x 244	113"	287	116	295	90	40.9	112	50.9
65" x 104"	165 x 264	123"	312	124	315	96	43.6	116	52.7
69" x 110"	175 x 279	130"	330	132	335	102	46.3	123	55.8
72½" x 116"	184 x 295	137"	348	140	355	107	48.6	128	58.1
87" x 139"	221 x 353	164"	417	159	405	120	54.5	143	64.9

*Case length does not include flange

DescenderPro (Matte White surface)

Bottom of screen surface shall be formed into a pocket holding a metal rod. Heavy duty vinyl caps shall protect the ends of the rod.

HDTV (16:9) Format Dimensions

Viewing Area (H x W)		Nominal Diagonal		Overall Length of Case*		Approx. Hanging Wt.		Approx. Shipping Wt.	
In.	Cm	In.	Cm	In.	Cm	Lbs.	Kg	Lbs.	Kg
52" x 92"	132 x 234	106"	269	108	275	64	29.1	85	38.6
54" x 96"	137 x 244	110"	279	108	275	65	29.5	86	39.1
58" x 104"	147 x 264	119"	302	116	295	69	31.3	90	40.9
65" x 116"	165 x 295	133"	338	132	335	76	34.5	97	44.0
78" x 139"	198 x 353	159"	404	151	385	90	40.9	113	51.3

Wide (16:10) Format Dimensions

Viewing Area (H x W)		Nominal Diagonal		Overall Length of Case*		Approx. Hanging Wt.		Approx. Ship. Wt.	
In.	Cm	In.	Cm	In.	Cm	Lbs.	Kg	Lbs.	Kg
57½" x 92"	146 x 234	109"	277	108	275	65	29.5	86	39.1
60" x 96"	152 x 244	113"	287	108	275	65	29.5	86	39.1
65" x 104"	165 x 264	123"	312	116	295	69	31.3	90	40.9
69" x 110"	175 x 279	130"	330	124	315	73	33.2	92	41.8
72½" x 116"	184 x 295	137"	348	132	335	76	34.5	97	44.0
87" x 139"	221 x 353	164"	417	151	385	91	41.3	114	51.8

*Case length does not include flange

PRODUCT NOTES

- All tensioned screens standard with 12" black drop at the top. Screen can be incrementally adjusted to show less drop to 6" black drop at the top.
- All non-tensioned screens standard with 2" black drop at the top. Screen can be incrementally adjusted to show more drop to 12" black drop at the top.
- Overall case length dimensions +/- 1/4" (6mm).
- Detail dimensional drawings, wiring diagrams and installation instructions available upon request.
- Specifications subject to change without notice.
- All screens standard with internal junction box.
- All screens standard with Low Voltage Control and Silent Drive System, except 159" and 164" diagonals (Low Voltage Control only).

SURFACE INFORMATION

- All viewing surfaces standard with black backing.
- All surfaces will be seamless in the image area.
- All surfaces are fire retardant.

WHEN ORDERING, MARK APPROPRIATE SELECTIONS

1. Select Size from Charts.
2. Select viewing surface (All Da-Lite surfaces are GREENGUARD GOLD Certified):

Tensioned

- HD Progressive 0.9
- HD Progressive 1.1
- Da-Mat®

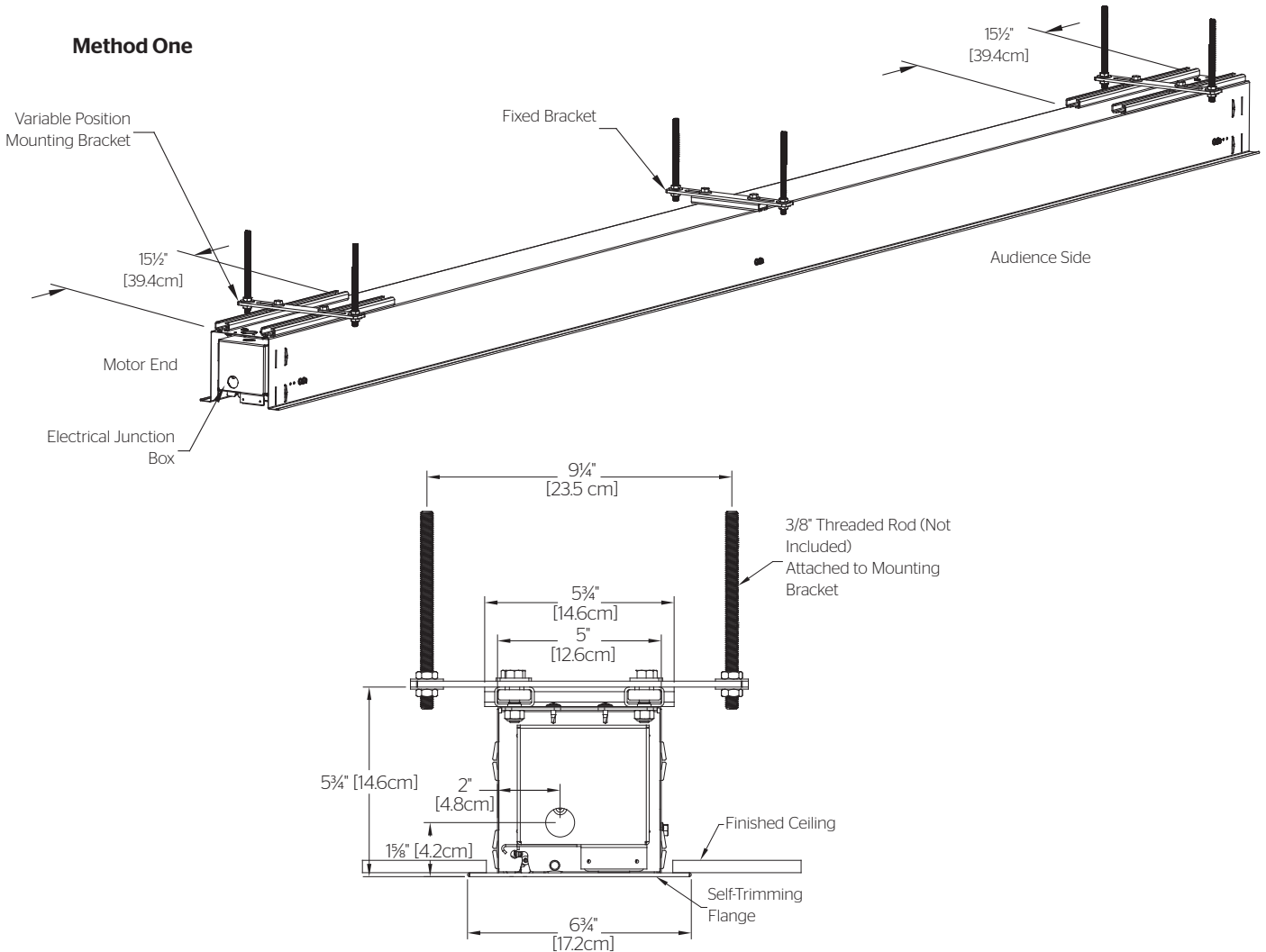
Non-Tensioned

- Matte White

3. Optional Accessories:

- Wireless Remote Control for LVC. Key Locking Cover Plate for LVC Switch.
- Radio Frequency Remote. Radio Frequency Range Extender
- Infrared Remote.

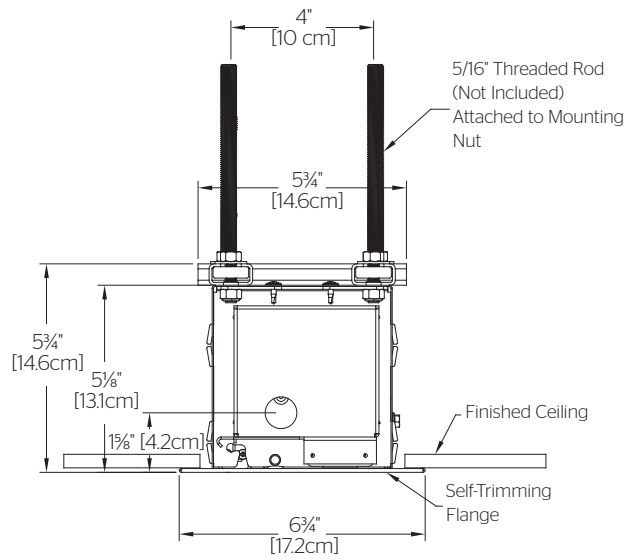
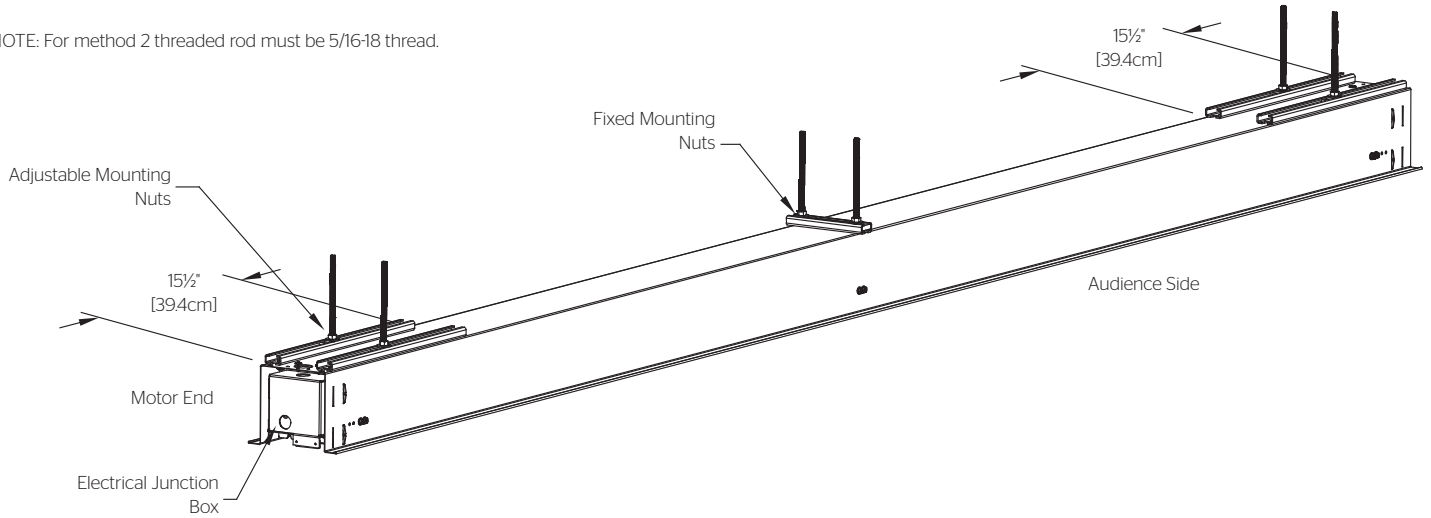
SUGGESTED METHODS OF INSTALLATION:



SUGGESTED METHODS OF INSTALLATION:

Method Two

NOTE: For method 2 threaded rod must be 5/16-18 thread.



FOR YOUR IMAGE | legrandav.com

USA P 866.977.3901 E info@da-lite.com
CANADA P 877.345.4329 E canadainfo@milestone.com
EMEA P +31 495 580 840 E emea.sales@milestone.com
APAC P +852 2145 4099 E asia.da-lite@milestone.com

In British Columbia, Milestone AV Technologies ULC carries on business as MAVT Milestone AV Technologies ULC.

©2018 Milestone AV Technologies. DL-0741 (Rev. 1) 12/18 Da-Lite is a registered trademark of Milestone AV Technologies. All other brand names or marks are used for identification purposes and are trademarks of their respective owners. All patents are protected under existing designations. Other patents pending.

Project Name: _____

Architect: _____

Contractor: _____ Phone: _____

Reseller: _____ Phone: _____